

the ball valve revolution for all condition of aggregation

critical medias  
safe handling!

ethylene oxide

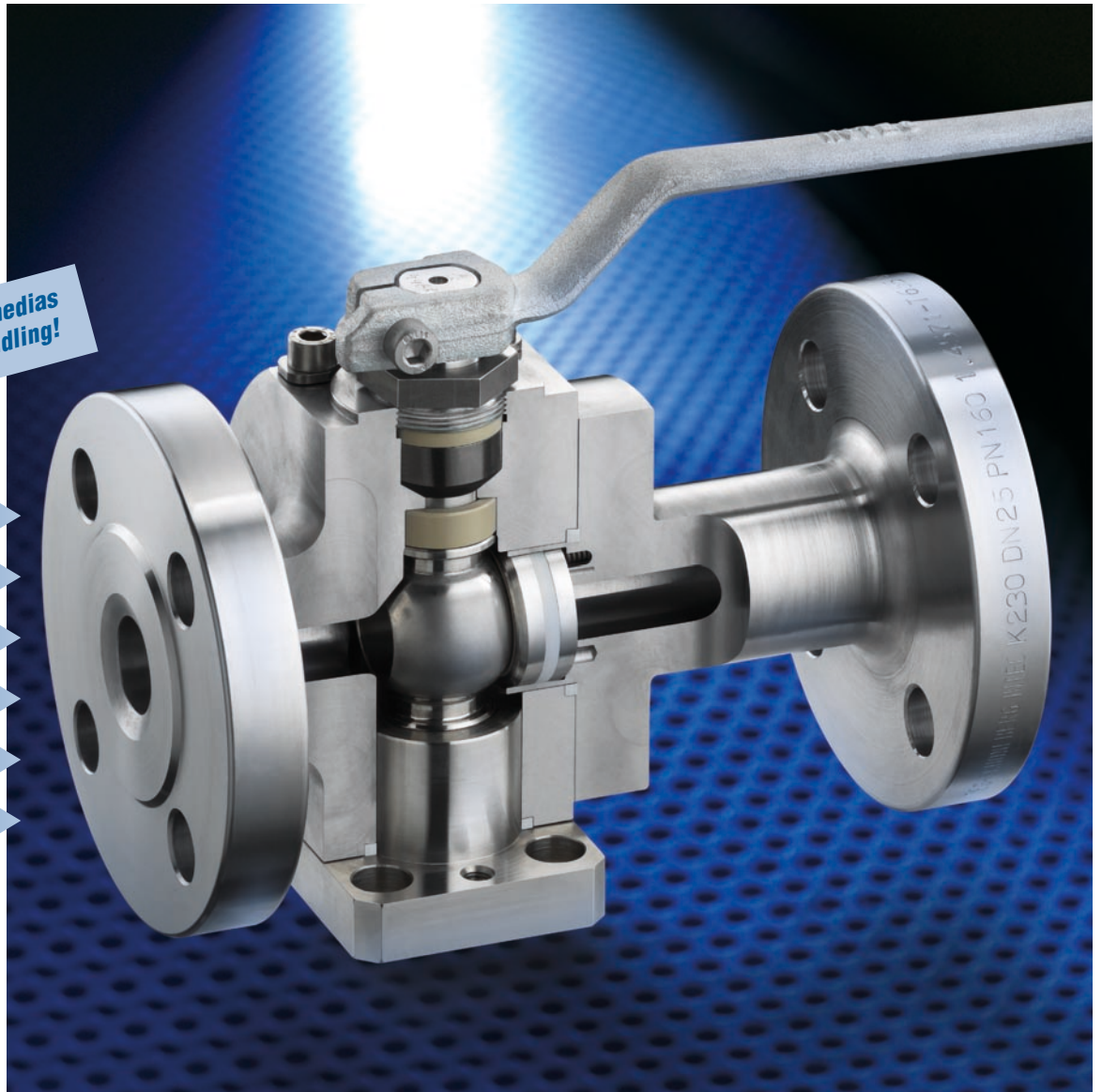
phenol

HF gas

HCL gas

ether

propylene oxide



**Ball valve**  
**INTEC K230/K231/  
K233/K234**  
**PN 16 – PN 160**  
**DN 15 – DN 200**

**Fields of application:**

- production of catalyzers
- transport of solids  
(bulk material transport systems)
- gaseous medias with contend  
of solid
- solid/liquid applications
- crystallizing medias

**Materials:**

- C22.8, 1.4571, 2.4610,  
other special alloys on request

**Also**  
**metal to metal gas tight**  
**acc. to DIN 3230 –**  
**leakage rate -1**

## INTEC K230/K231/K233/K234

### Shaft sealing:

- no o-rings – universal applicable
- no disc springs – no lost of elasticity or risk of disc spring fracture
- stuffing box system absolutely ageing resistant
- system design in a Graphite/KF conering princible
- real primary sealing, no friction washer or bearing ring using of the floating ring seal princible (Graphite conering in KFG-profile)
- TÜV-approval of the sealing system acc. to VDI 2440
- TÜV-approved for 100.000 cycles from -40°C up to +220°C
- stem material duplex (1.4462), using of best knowledge of the pump technology
- maximised torsion strength
- safety in automation

### Seat ring system:

- spring loaded, spiralrings chambered
- no use of disc springs to forcing the seat ring
- no dangerous because of crevice corrosion
- free outlet for all kinds of solids

### Metal to metal tight:

- seat ring and ball hart metal coated by flame-spray technology
- sleeken seat and ball polished
- high precision beared ball

### Soft seated:

- three side chambering of the seat ring
- using of nitrogenium sintered high quality KFGN
- reduction of abrasion, micro-diffusion and operating torque

### Certifications:

- approved acc. to PED (97/23/EC) Module H/H1
- design approval VdTÜV 1065, VbF, Gas-HI-VO, WHG
- German clean air act approval acc. to VDI 2440
- Fire-safe approved acc. to BS 6755 T2 and ISO 10497

Subject to technical alterations  
Status: August 2007

**Certified acc. to  
DIN EN ISO 9001:2000**

KLINGER SCHÖNEBERG GmbH  
Cunoweg 7  
D-65510 Idstein  
Phone +49 6126 950-0  
Fax +49 6126 950 340  
e-mail: [sales@klinger-schoeneberg.de](mailto:sales@klinger-schoeneberg.de)  
<http://www.klinger-schoeneberg.de>

